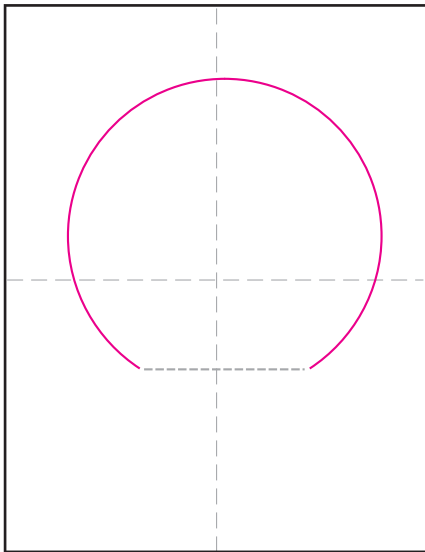
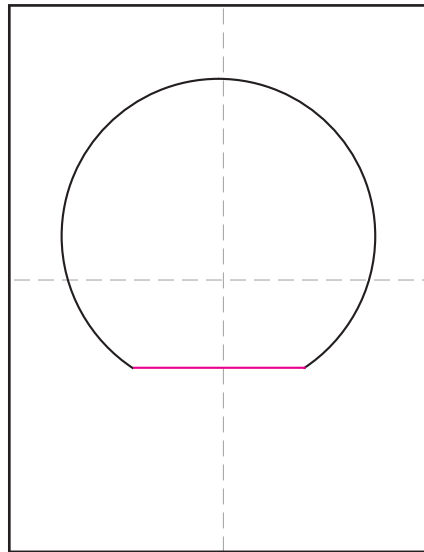


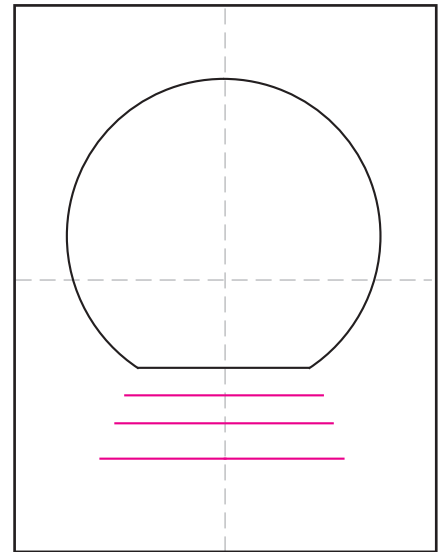
Draw a Snow Globe



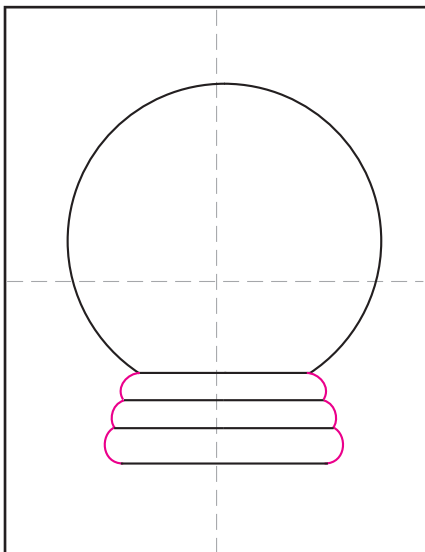
1. Trace template or draw your own.



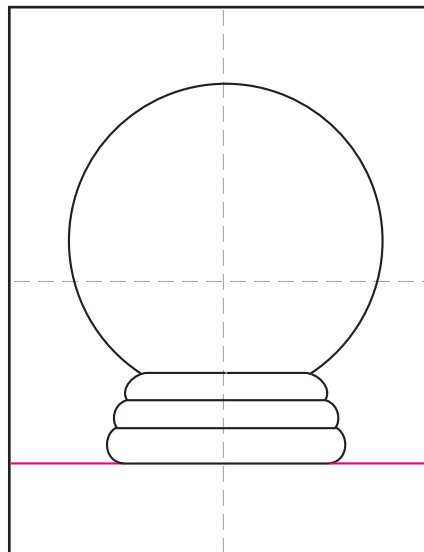
2. Connect the bottom ends.



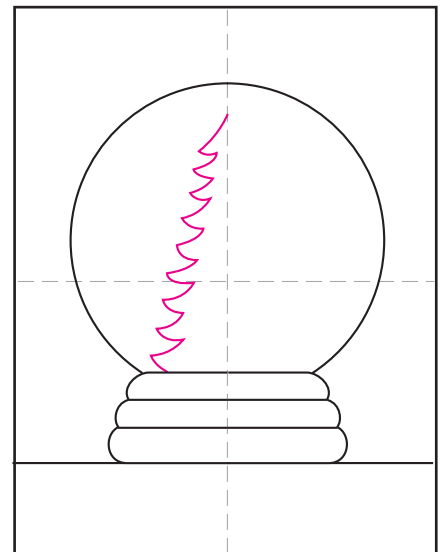
3. Draw three lines below as shown.



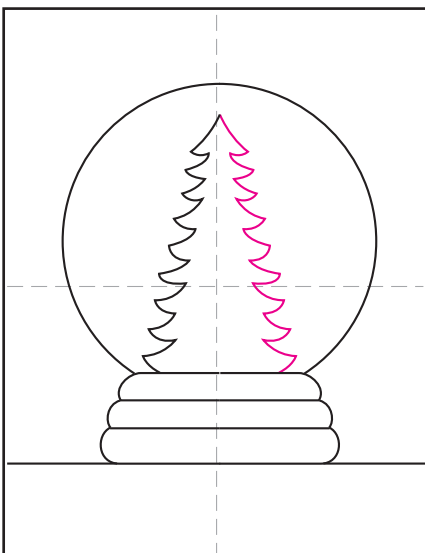
4. Connect the sides with curves.



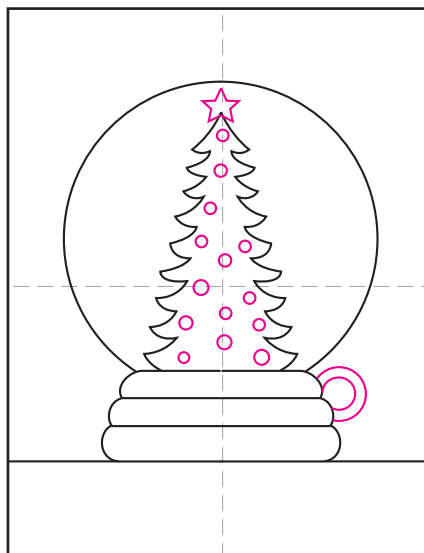
5. Add the table line.



6. Draw one side of the tree.



7. Draw the other side of the tree.



8. Add star, circles and base handle.



9. Trace with a marker and color.

Snow Globe



